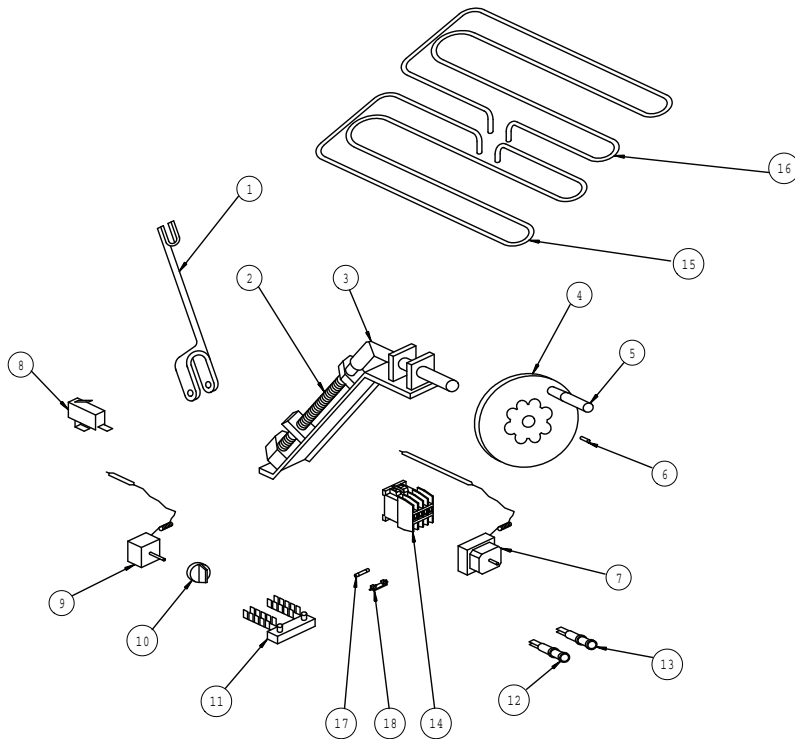
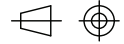


IF IN DOUBT ASK!!

DO NOT SCALE !!
First Angle Projection



ITEM	DESCRIPTION	E2962 SPARES No.	E2994 SPARES No.
1	JACK ARM	531750430	531750430
2	SCREW JACK	531750440	531750440
3	UNIVERSAL COUPLING	531790350	531790350
4	HANDWHEEL ASSY	531750510	531750510
5	FOLDING HANDLE	531750511	531750511
6	LOCKING PIN	531750512	531750512
7	SAFETY THERMOSTAT	531750502	531750502
8	MICROSWITCH	531750540	531750540
9	CONTROL THERMOSTAT	731750711	731750711
10	CONTROL THERMOSTAT KNOB	537810070	537810070
11	TERMINAL BLOCK	537810110	537810110
12	INDICATOR LAMP-AMBER	537810050	537810050
13	INDICATOR LAMP-RED	537810060	537810060
14	CONTACTOR	731750860	731750860
15	ELEMENT LH	731750420	731750420
	ELEMENT CENTRE	-----	731750420
16	ELEMENT RH	731750421	731750421
17	FUSE 2A	731881060	731881060
18	FUSE HOLDER	731881070	731881070

All dimensions in millimetres, Tolerance- Linear $\pm 0.5\text{mm}$ Angular $\pm 0.5^\circ$ (or as stated). All sharp edges to be removed from sheet metal parts.

B		CONTROL THERMOSTAT WAS 537810100	I. HAMILTON		15-01-09
A		1012	ISSUED FOR PRODUCTION		I. HAMILTON 19-05-04
Issue	Mod No.	Alteration	Zone	Drawn by	Date



Drawn	I. HAMILTON	Product	E2962/94 BRATT PANS	
Date	18-05-04	Title	SPARES DIAGRAM-CONTROLS & ELECTRICS	
Scale	N. T. S.			
Matl.		Drawing Number		Issue
No. off		Finish		AF42640
Bin No.		Kraus No. T111448		
				B

© No reproduction or publication of this drawing may be made and no article may be manufactured or assembled in accordance with this drawing without prior written consent. This prohibition is a term of any contract relating to this drawing. Rights reserved under the Copyright Act 1956 as amended by the Design Copyright Act 1968.

This part is common to the following units

Falcon Foodservice Equipment. Wallace View Hillfoots Road Stirling Scotland